



VON HARTMANN



ANGLE SEAT VALVE

PN 25

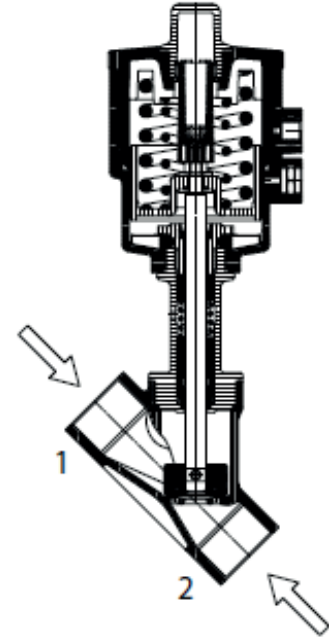
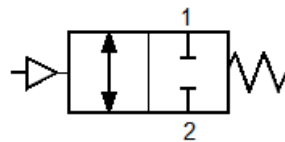
Stainless steel
Sizes from 1/2" to 3"

www.von-hartmann.com

PN 25

Method of use

- *Normally Closed bidirectional valve.*
- *Flow coming 2 to 1 (coming from below the plug) you avoid water hammering.*
- *Flow from above the plug for compressed air or gas.*



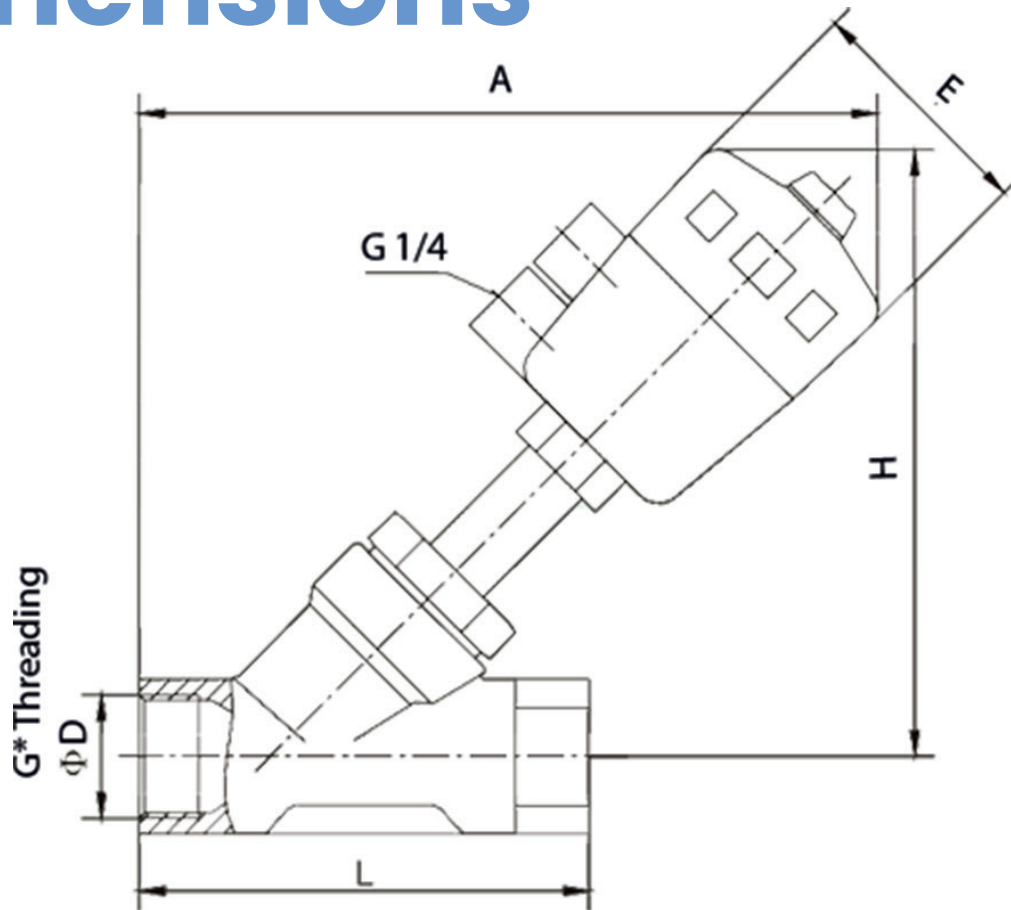
DN	Thread	Actuator size (mm)	Kv data of water (m ³ /h)	Min. Pilot pressure (bar)	Max. working pressure under Max. working temperature of 180°C (bar)
15	G1/2	50	4.2	6 - 7	15
20	G3/4	50	8.0	6 - 7	11
25	G1	63	19.0	6 - 7	11
32	G1.1/4	80	28.0	6 - 7	11
40	G1.1/2	80	38.0	6 - 7	10
50	G2	100	55.0	6 - 7	10
65	G2.1/2	125	90.0	6 - 7	10
80	G3	125	120.0	6 - 7	7

PN 25

Dimensions



VON HARTMANN



Part#	DN	D	Actuator	L	A	H	E	Int. Info.
034688VH0001	15	G1/2	$\phi 50$	85	180	140	65	28,4*
034689VH0002	20	G3/4	$\phi 50$	95	185	145	65	19,6*
034690VH0003	25	G1	$\phi 63$	105	190	155	65	14,8*
035611VH0007	32	G1.1/4	$\phi 80$	120	245	210	105	11*
034691VH0004	40	G1.1/2	$\phi 80$	130	250	215	105	12,7*
034692VH0005	50	G2	$\phi 100$	150	300	310	126	16,4*
035612VH0008	65	G2.1/2	$\phi 125$	185	375	340	180	11*
035613VH0009	80	G3	$\phi 125$	210	380	370	180	8,5*



VON HARTMANN



CONTACT US

www.von-hartmann.com